

SUBMERGED LEVEL SENSOR – MPXF

1 SPECIFICATIONS

Measurement range	0 – 50 cm to 0 – 140 m of water depending on model.
Power supply voltage	8V to 38V =, limited to 1A.
Output signal	4 / 20mA.
Dimensions	Diam. 17.6 mm +/- 0.1 mm - length = 187.5 mm +/- 0.2 mm.
Weight	190 g + 50 g per metre of standard cable.
Standard cable conductors,	Double-coated, no capillary tube. Electrical shielding, 2 x 0,60 mm ²
Reinforced cable (optional)	diam. 7 mm +/-0.5 mm, weight 50 g per metre. Triple-coated, with no capillary tube. Electrical and mechanical shielding, 2 x 0.60 mm ² conductors, diam. 9 mm +/- 0.5 mm, weight 100 g per metre.
Fast transient immunity	Level 4
Surge immunity	20kA (wave 8/20)
Standards: (CE Mark)	EN 61000-6-2, EN 61000-6-3, EN 61010-1, EN 62479, EN 50581



As per ISO 4373 standard

Certificate of Sanitary Conformity (ACS)
Physical principle of the device: pressure measurement by submersion
Maximum variation rate: not applicable
Response time: 10 ms
Performance class: 3
Temperature class: 2
Relative humidity class: 1
IP rating: IP68
Drinking water compatibility: yes
Explosive environment compatibility: no

2 PRECAUTIONS FOR INSTALLATION AND USE

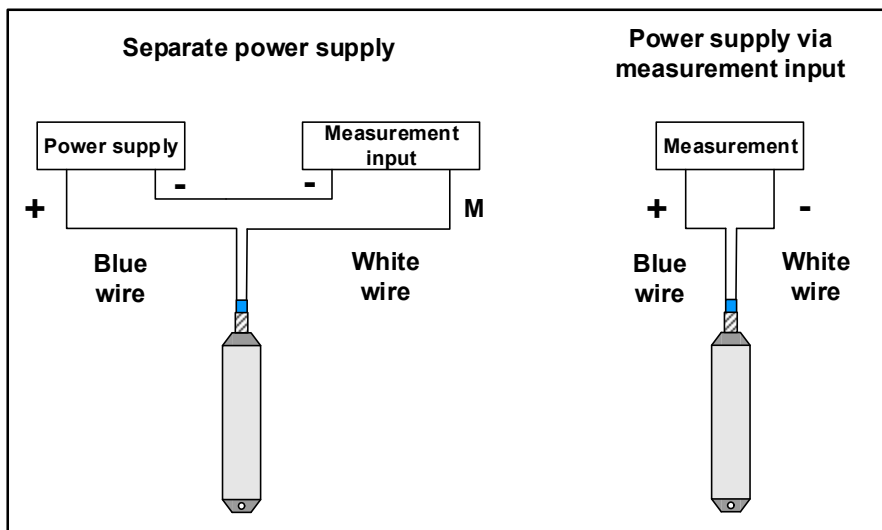
In order to vent the pressure sensor via the cable, a number of installation precautions are required:

- Suspend it with the clamp provided.
- Ensure that the end of the cable is at atmospheric pressure and that it is never submerged.
- Do not damage or pierce the cable.
- During use, the MPXF sensor must not be exposed to frost.
- Avoid "harsh" (high-pressure) cleaning of the sensor.

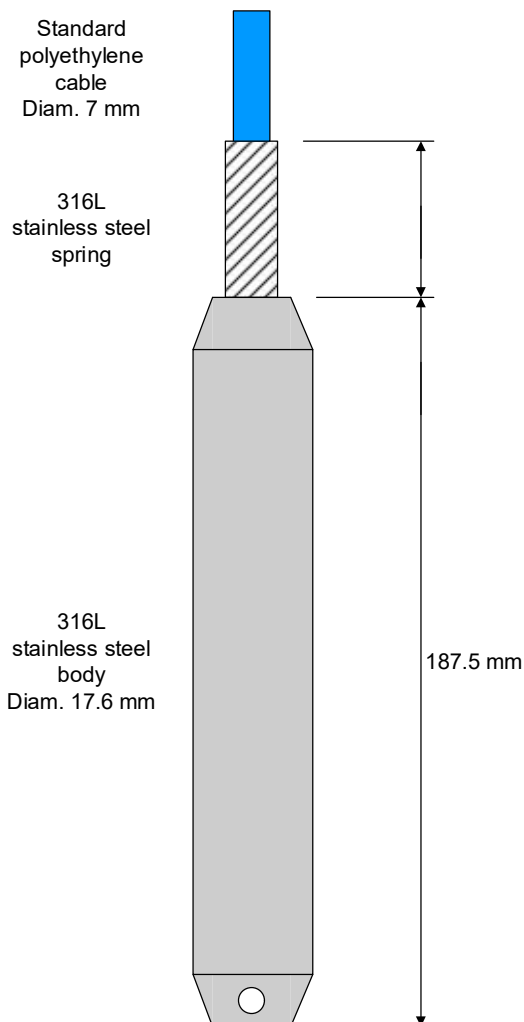
N.B.: The use of the Kevlar supporting cable, included in the reinforced cable (CABFOR option), involves, before submerging the sensor, tying this supporting cable at a fixed point and positioning the cable clamp at its definitive position on the cable.

3 CONNECTIONS

The 4/20mA circuit power supply should be limited to 1A.



4 DIMENSIONS



5 SAFETY SYMBOLS AND MARKS

: Hazard risk. Important information. Refer to the instructions for use.

: Read the instructions for use.

: Compliant with European Union and EFTA directives.

: European Directive 2002/96/EC of 27 January 2003 on waste electrical and electronic equipment (WEEE Directive) was transposed in France by Decree No. 2005-829 of 20 July 2005.

Electrical or electronic appliances, and their spare parts and consumables must never be disposed of in household waste.

PARATRONIC has undertaken to set up an Individual Collection System.

PARATRONIC waste electrical and electronic equipment should be returned by customers (End users) to our company's head office, at the following address:

PARATRONIC – Zone Industrielle - Rue des Genêts, 01600 REYRIEUX, France - Service Recyclage DEEE

Safety instruction:

: WARNING: The protection offered may be compromised if this appliance is not used as specified.

6 CALIBRATION

4-20 mA signal

PROBE No.

Full scale set to:	M.
Length of cable:	M.

HEIGHT	PRESSURE	CURRENT
0 metres	0 bar	mA
metres	bar	mA
metres	bar	mA

IMPORTANT:

It is not necessary to install a lightning arrester for probe protection

The specifications described in this document are subject to change by the manufacturer without notice.